



POWERTILT® Quick Couplers

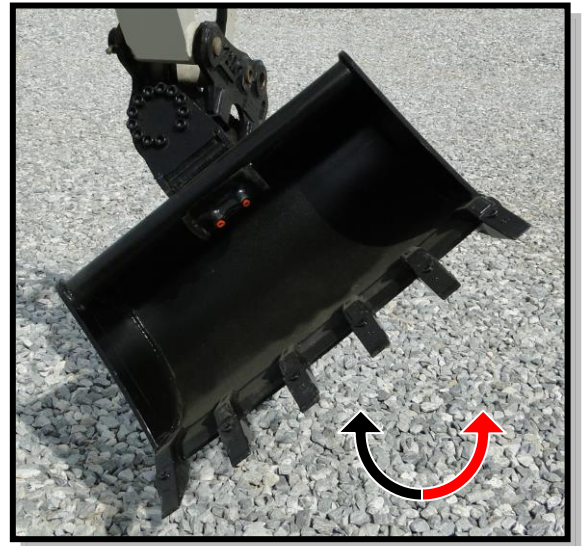
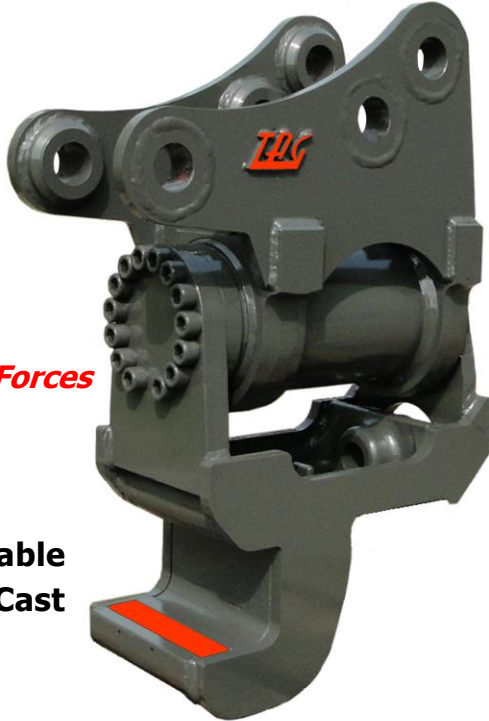
Available for Compact Excavators 8,000 lbs. to 18,000 lbs.
Plus Rubber Tire Loader Backhoes and
Large Excavators Up To 80,000 lbs.

Genuine



Next Generation
Actuators

- **Reduced Weight**
- **Improved Holding Forces**
- **Hardened Seal and Bearing Surfaces**

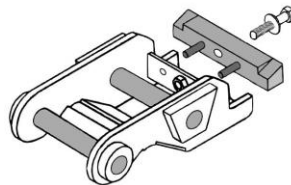
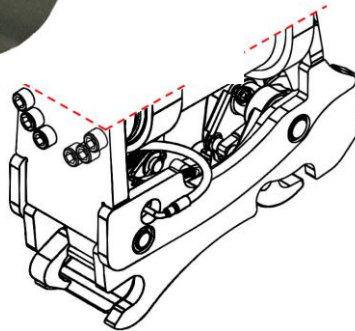


• Up To 180° Attachment Rotation

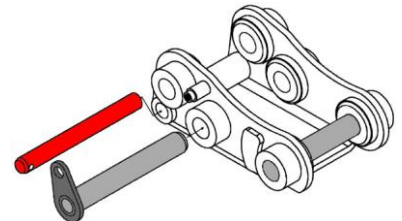
Exclusively Available
With a Stronger Cast
Adjust-**A-Hook**™
For 8,000 lbs. to
18,000 lbs. Mini
Excavators and RTL's

**Hydraulic Multilock
Coupler Available On
14,000 lbs. - 18,000 lbs.
Compact Excavators
and Large Excavators Up
To 80,000 lbs.**

Subject to Engineering Review



**Available JD50 / JD60
Manual Wedgelok Coupler**



**Available Kubota
KX057, U55, KX80
Manual Coupler**



**Manual Half-Hitch Coupler
Available From 8,000 lbs. – 40,000 lbs.**



TAG Manufacturing, Inc. • Chattanooga, TN 37416

<https://tagmfg.us>