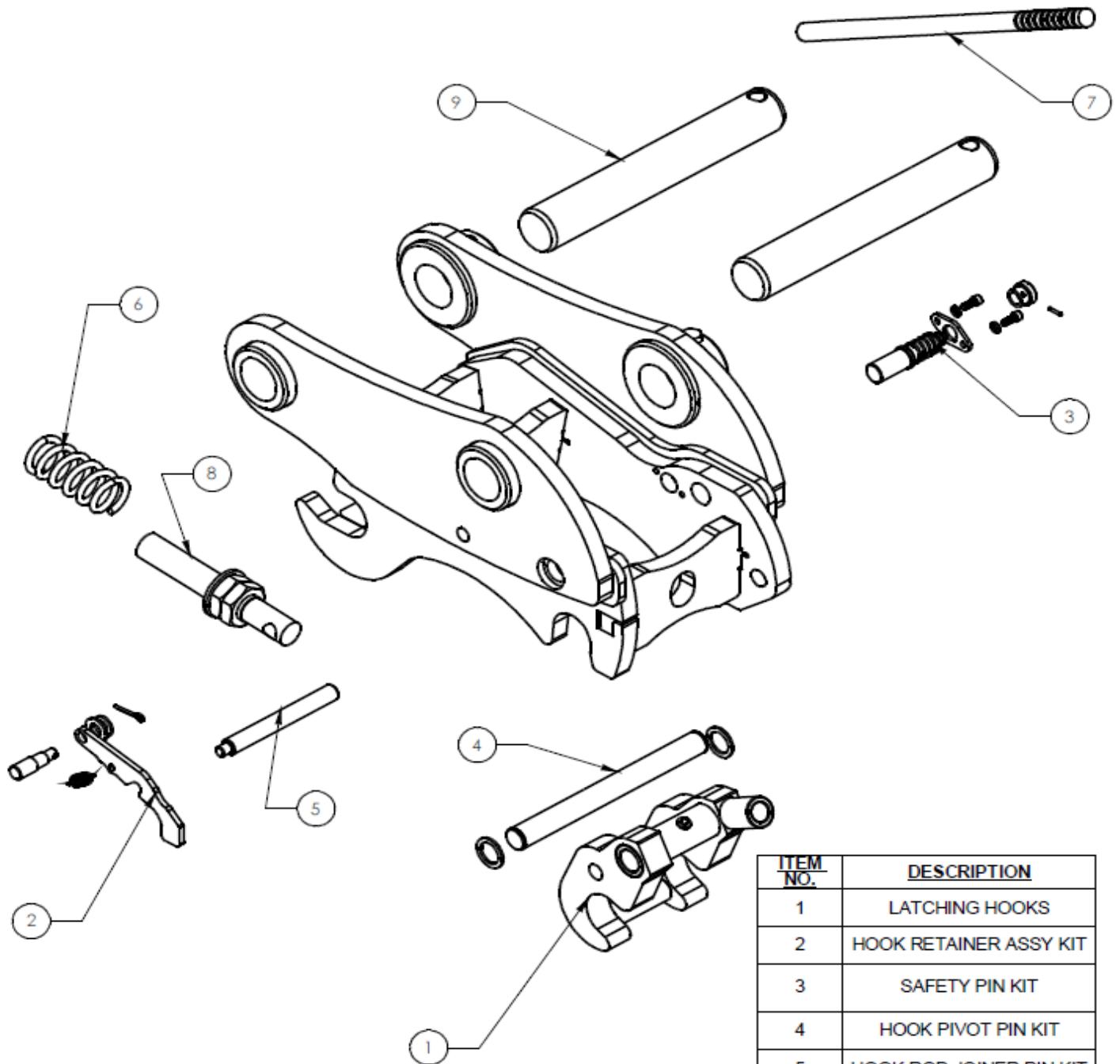
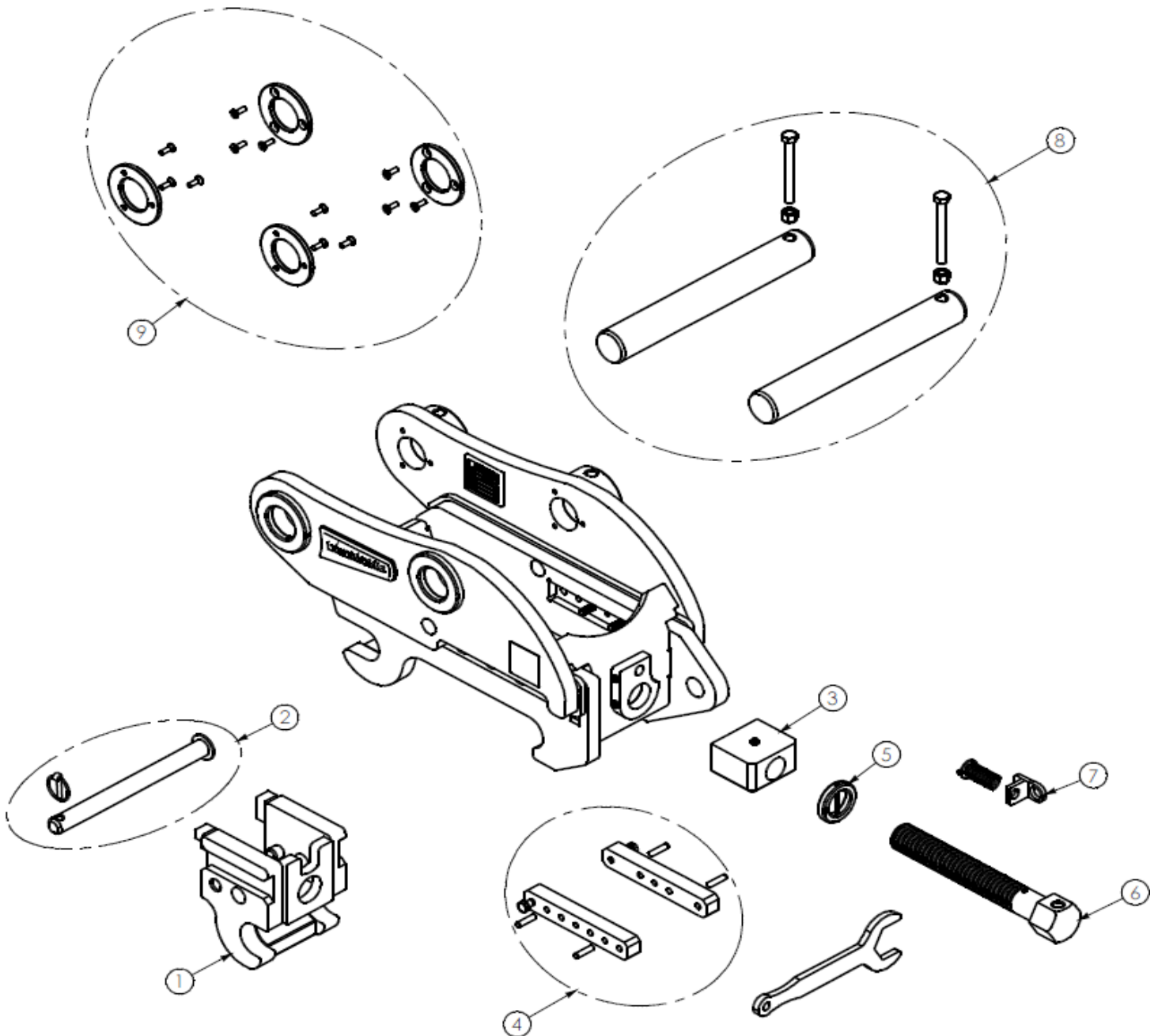


# DROMONE MECHANICAL COUPLER SPRING LOADED/LEVER RELEASED



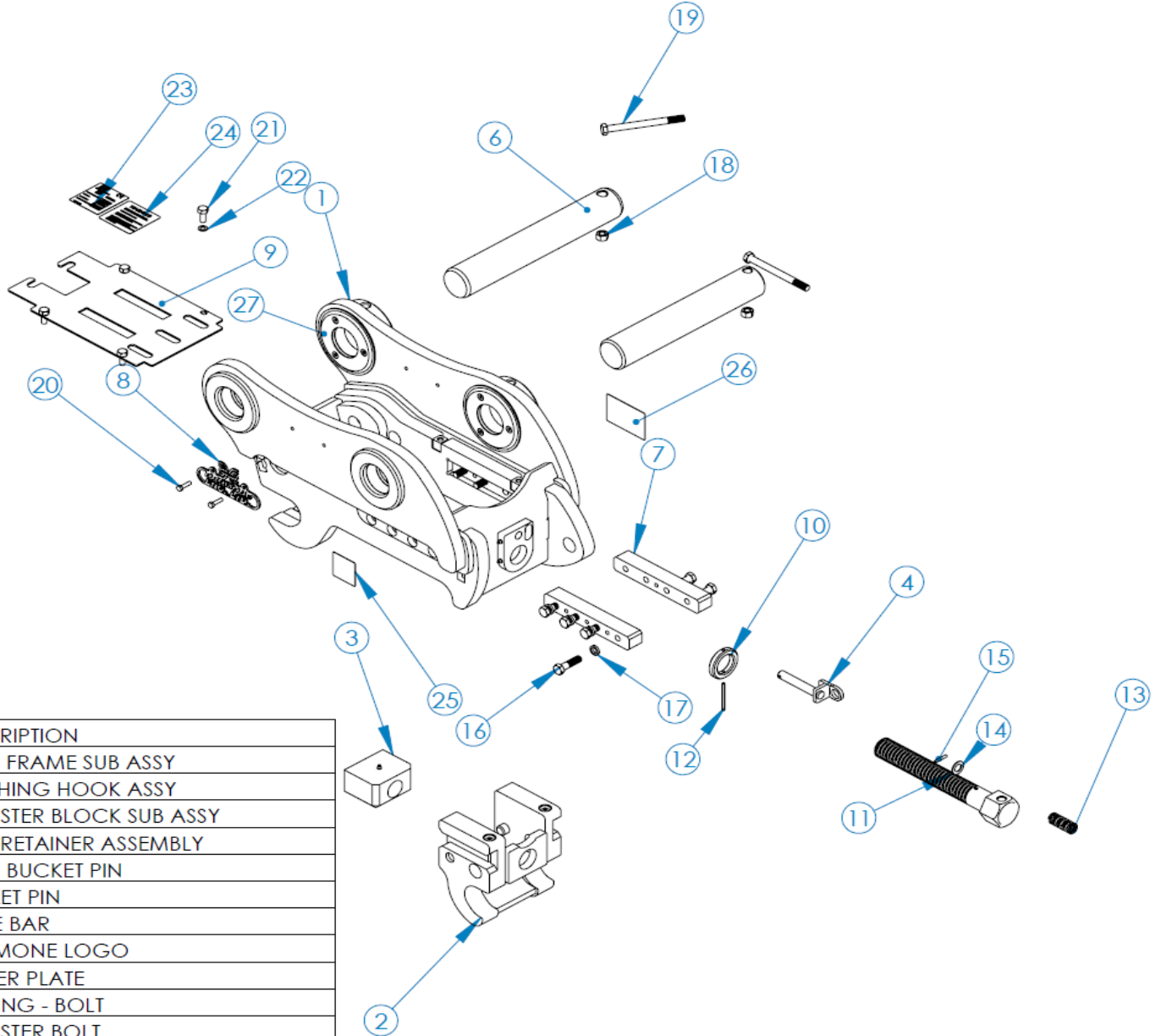
ITEM NO.	DESCRIPTION
1	LATCHING HOOKS
2	HOOK RETAINER ASSY KIT
3	SAFETY PIN KIT
4	HOOK PIVOT PIN KIT
5	HOOK ROD JOINER PIN KIT
6	COMPRESSION SPRING
7	SHAFT, HOOK RELEASE
8	SPRING ROD ASSY
9	BUCKET PIN

# DROMONE 12T MECHANICAL COUPLER MANUAL SCREW OPERATED



ITEM NO.	DESCRIPTION
1	LATCH HOOK ASSEMBLY
2	SAFETY PIN KIT
3	ADJUSTER BLOCK ASSEMBLY - SLIDE
4	SLIDER BAR KIT
5	BOLT BUSHING KIT
6	ADJUSTER BOLT
7	RETAINER SPRING BOLT KIT
8	BUCKET PIN KIT
9	SPACER BUSHING KIT

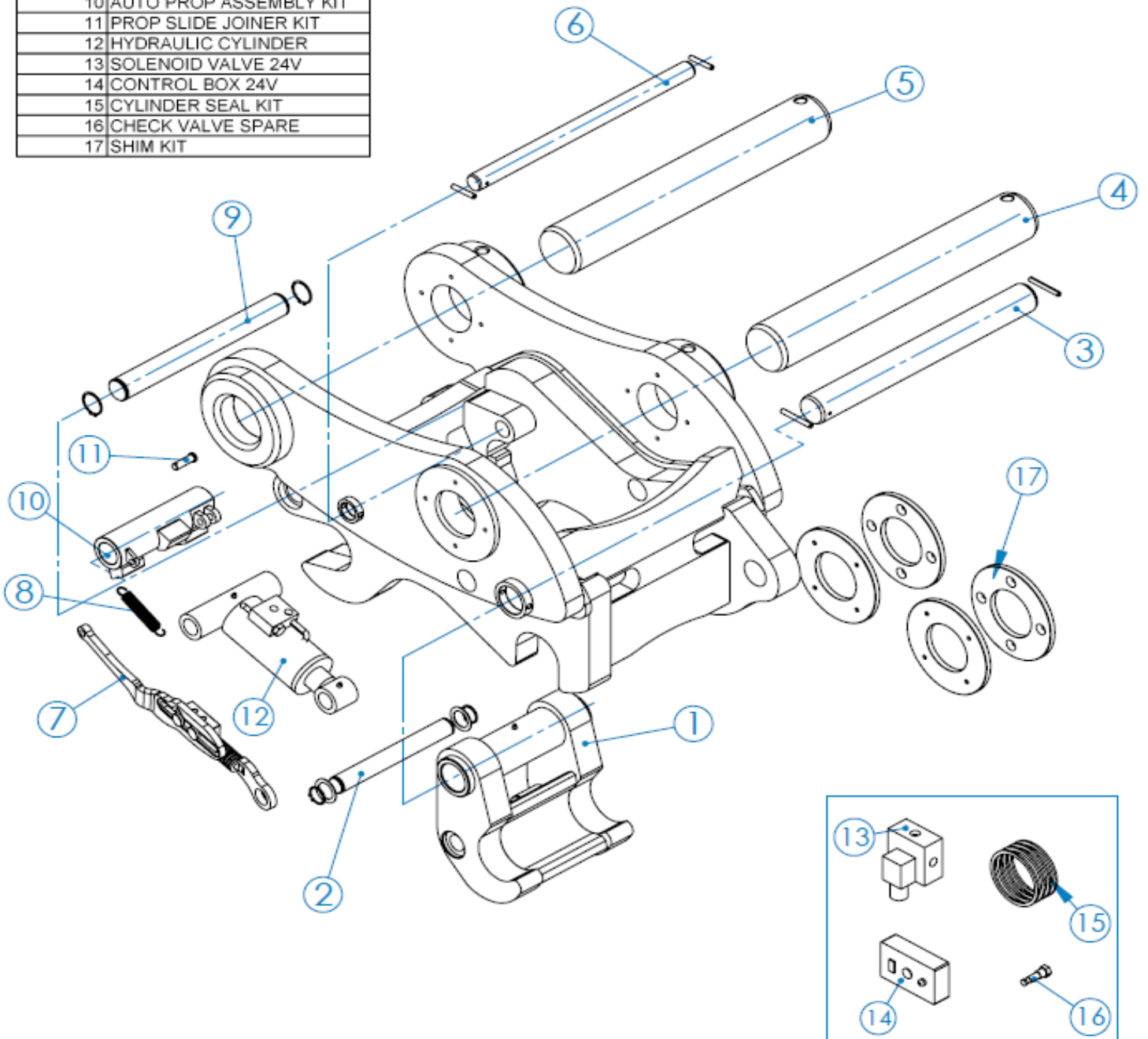
# DROMONE 20T MECHANICAL COUPLER MANUAL SCREW OPERATED



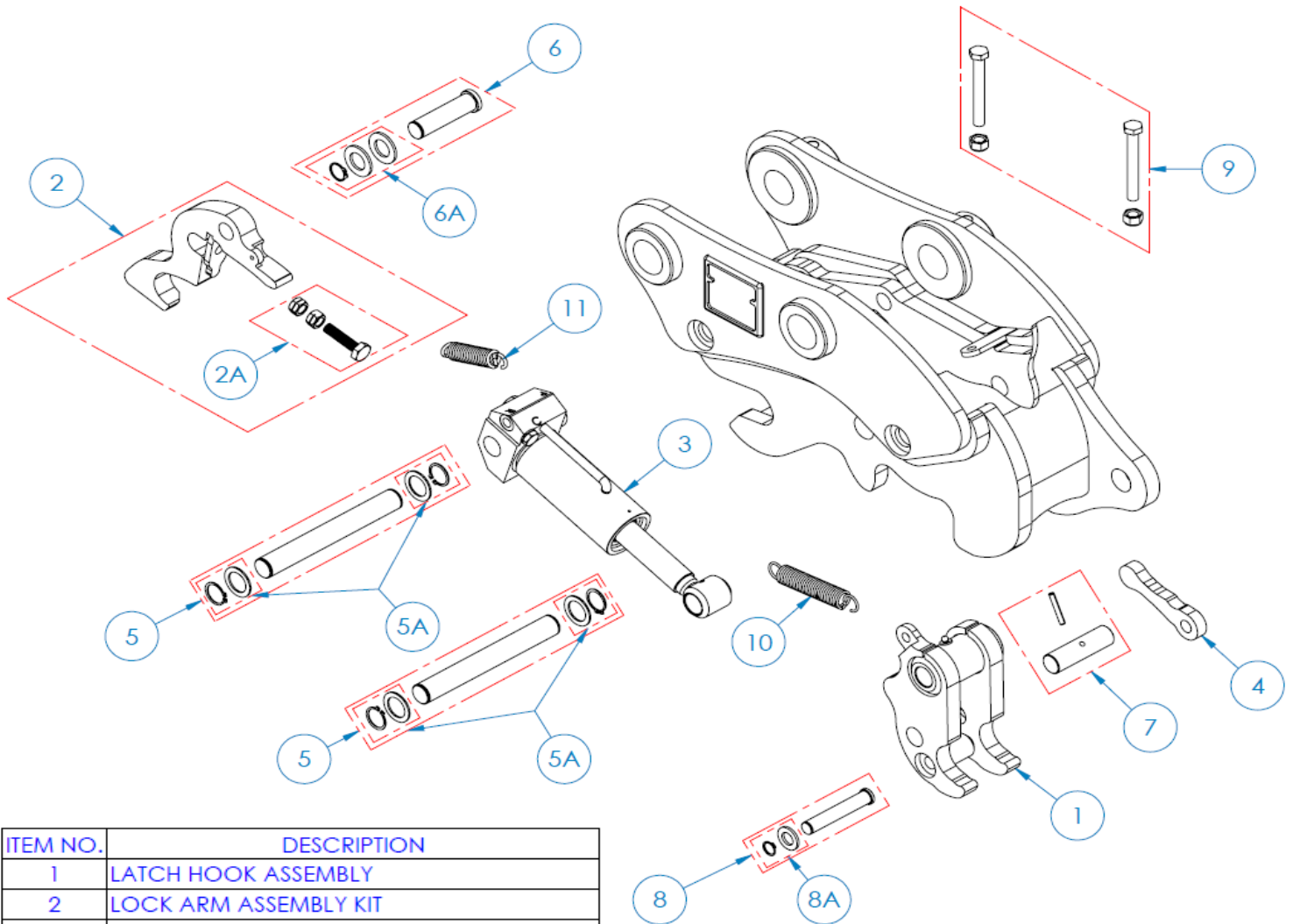
NO.	DESCRIPTION
1	MAIN FRAME SUB ASSY
2	LATCHING HOOK ASSY
3	ADJUSTER BLOCK SUB ASSY
4	BOLT RETAINER ASSEMBLY
5	MAIN BUCKET PIN
6	BUCKET PIN
7	SLIDE BAR
8	DROMONE LOGO
9	COVER PLATE
10	BUSHING - BOLT
11	ADJUSTER BOLT
12	ROLL PIN DIA 6mm x 80mm LONG
13	SPRING
14	M20 WASHER
15	ROLL PIN Dia.6 x 35mm
16	BOLT M16*130 10.9 YP HEX HD M
17	M16 SPRING WASHER
18	M16 LOCK NUT
19	BOLT M16*130 10.9 YP HEX HD M
20	M8 * 30 SET SCREW
21	M12 * 30 SET SCREW
22	SPRING WASHER M12
23	SERIAL NO. LABEL
24	WARNING LABEL
25	WARNING LABEL - KEEP HANDS CLEAR
26	WARNING LABEL - SAFE LIFTING
27	SPACER KIT

# DROMONE HYDRAULIC EXCAVATOR AUTO LOCK COUPLER

Item No	Description
1	LATCH HOOK
2	HOOK CYL JOINER PIN KIT
3	LATCH HOOK PIVOT PIN KIT
4	MAIN BUCKET PIN ( R )
5	MAIN BUCKET PIN
6	CYLINDER PIVOT PIN
7	PROP LINKAGE
8	PULL SPRING HEAVY
9	AUTO PROP PIN KIT
10	AUTO PROP ASSEMBLY KIT
11	PROP SLIDE JOINER KIT
12	HYDRAULIC CYLINDER
13	SOLENOID VALVE 24V
14	CONTROL BOX 24V
15	CYLINDER SEAL KIT
16	CHECK VALVE SPARE
17	SHIM KIT



# DROMONE HYDRAULIC MINI EX MULTI LOCK COUPLER



ITEM NO.	DESCRIPTION
1	LATCH HOOK ASSEMBLY
2	LOCK ARM ASSEMBLY KIT
2A	ADJUSTER BOLT KIT
3	MAIN HYDRAULIC CYLINDER
3A	MAIN HYD CYL CHECK VALVE (NOT SHOWN)
3B	MAIN HYD CYL SEAL KIT (NOT SHOWN)
4	PUSH PLATE
5	LATCH HOOK/CYLINDER PIN KIT
5A	WASHER & CIRCLIP KIT
6	LOCK ARM PIN KIT
6A	WASHER & CIRCLIP KIT
7	CYLINDER PIN KIT
8	PUSH PLATE PIN KIT
8A	WASHER & CIRCLIP KIT
9	CROSS BOLT KIT
10	PULL SPRING
11	LOCK ARM PULL SPRING
12	12/24V CONTROL BOX (NOT SHOWN)

# DROMONE HYDRAULIC EXCAVATOR MULTI LOCK COUPLER

ITEM NO.	DESCRIPTION
1	LATCH HOOK ASSEMBLY
2	LOCK ARM ASSEMBLY
2A	ADJUSTER BOLT KIT
3	MAIN HYDRAULIC CYLINDER
3A	MAIN CYLINDER CHECK VALVE (NOT SHOWN)
3B	MAIN CYLINDER SEAL KIT (NOT SHOWN)
4	LOCK PLATE ASSEMBLY
5	REAR HYDRAULIC CYLINDER
6	SPRING ASSEMBLY KIT
6A	COMPRESSION SPRING
7	PUSH PLATE
8	CYLINDER PIN KIT
8A	WASHER & CIRCLIP KIT 50MM PIN
9	HOOK+CYLINDER PIN KIT
9A	WASHER & CIRCLIP KIT 50MM PIN
10	LATCH HOOK PIN KIT
10A	WASHER & CIRCLIP KIT 60MM PIN
11	LOCK ARM PIN KIT
11A	WASHER & CIRCLIP KIT 38MM PIN
12	SHORT HOSE KIT
13	REAR LOCK PLATE BOLT KIT
14	BUCKET PIN KIT
15	12/24V CONTROL BOX (NOT SHOWN)

