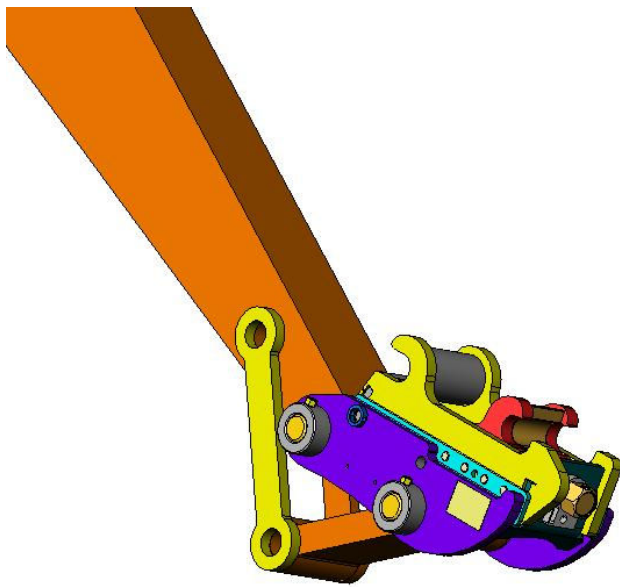


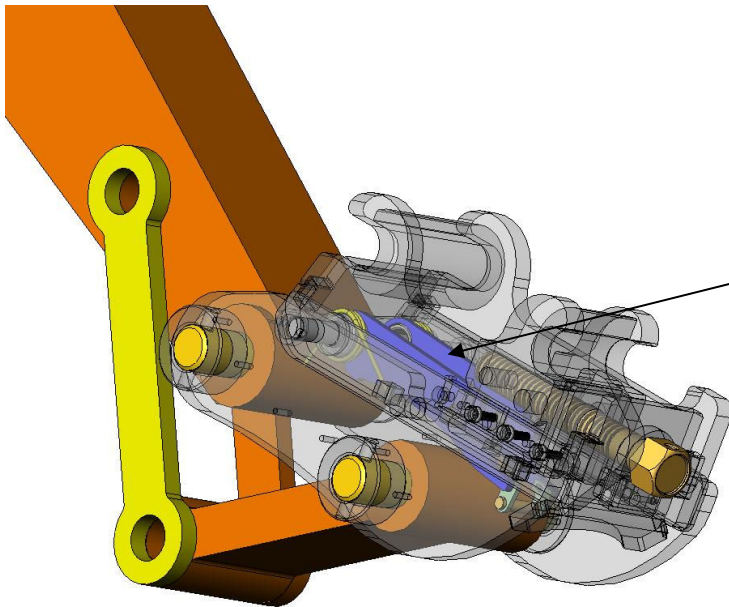
12-14T Slide Mechanical Coupler Bucket Release Details



Hitch and Bucket (not shown) need to be fully curled towards the cab until hitch is in a similar position to that shown.

In this position, the torsion spring comes away from the boom and allows the blocking plates to fall away due to gravity.

Towards
Machine CAB



1) Blocking Plates (shown in blue) fall away due to gravity allowing Slide Hook to move backwards off rear bucket pin.

2) In this position the weight of the bucket should not be resting on Slide Hook but rather on Coupler body thus allowing Hook to slide freely.