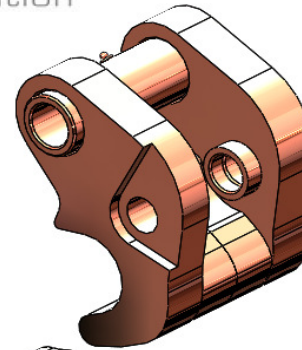
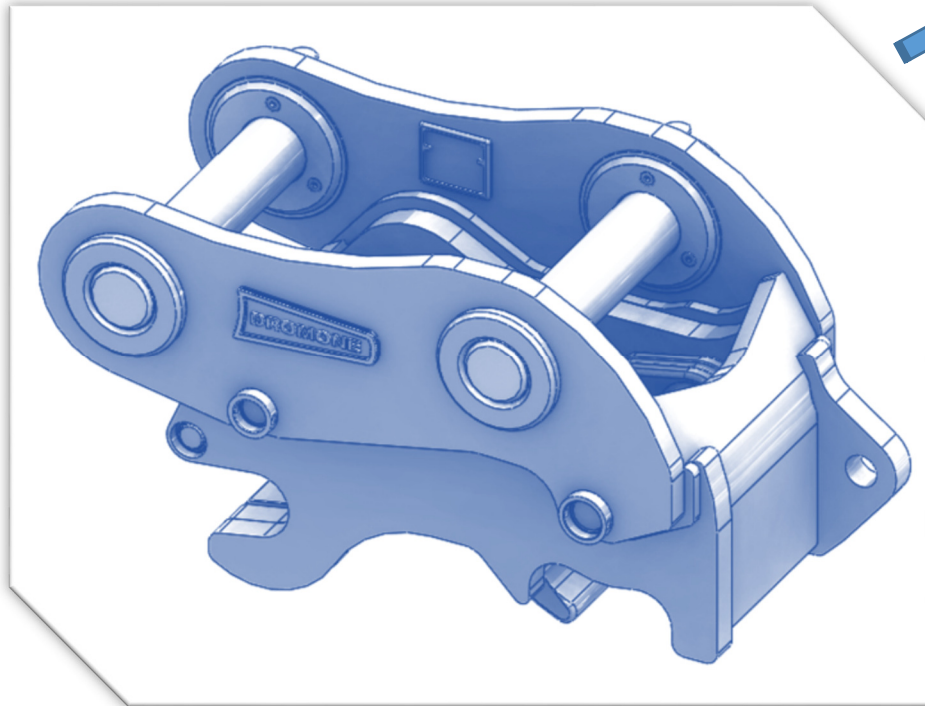


DROMONE 20T RANGE AUTO LOCK COUPLER

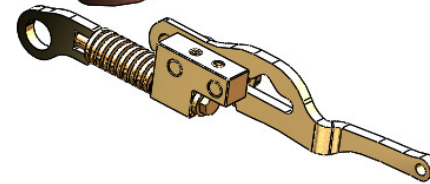
2 VARIATIONS OF SPARE PART SETS:

PARTICULARLY A) LATCH HOOK B) SLIDE LINK



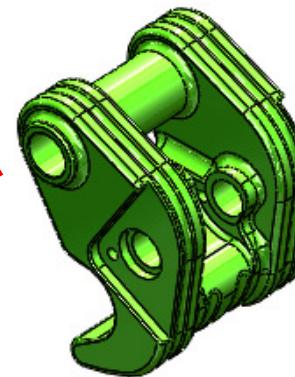
**A1: FABRICATED HOOK
720-01341-00**

(CUT PLATE – WELDED
CONSTRUCTION)



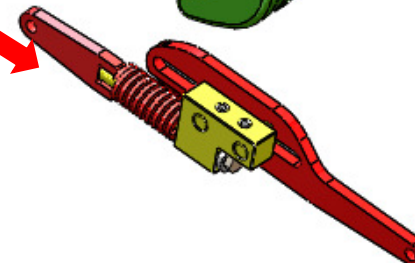
**B1: MATCHING SLIDE LINK
ASSEMBLY 720-01986-00**

(LARGE SPRING ROD HOLE –
BENT PROP PLATE)



A2: CAST HOOK 720-02317-00

(SINGLE CAST PART)



**B2: MATCHING SLIDE LINK
ASSEMBLY 720-02074-00**

(SMALL SPRING ROD HOLE –
FLAT PROP PLATE / NO BENDS)

**CUSTOMER WILL NEED TO IDENTIFY WHETHER
HIS COUPLER IS TYPE 1 (WITH A1/B1) OR TYPE
2 (WITH A2/B2)**

*Then refer to full spares listings for that coupler
type for other slight differences*